

Please check the examination details below before entering your candidate information

Candidate surname

Other names

**Pearson Edexcel
Level 3 GCE**

Centre Number

--	--	--	--	--

Candidate Number

--	--	--	--	--

Friday 17 May 2019

Morning (Time: 1 hour 30 minutes)

Paper Reference **8PH0/02**

Physics

Advanced Subsidiary

Paper 2: Core Physics II

You must have:

Ruler, drawing compasses

Total Marks

Instructions

- Use **black** ink or ball-point pen.
- **Fill in the boxes** at the top of this page with your name, centre number and candidate number.
- Answer **all** questions in Sections A and B.
- Answer the questions in the spaces provided – *there may be more space than you need.*

Information

- The total mark for this paper is 80.
- The marks for **each** question are shown in brackets – *use this as a guide as to how much time to spend on each question.*
- You may use a scientific calculator.
- In questions marked with an **asterisk** (*), marks will be awarded for your ability to structure your answer **logically**, showing how the points that you make are related or how they follow on from each other where appropriate.

Advice

- Read each question carefully before you start to answer it.
- Try to answer every question.
- Check your answers if you have time at the end.
- You are advised to show your working in calculations, including units where appropriate.

Turn over ►

P55526A

©2019 Pearson Education Ltd.

1/1/1/1/



Pearson

SECTION A

Answer ALL questions.

All multiple choice questions must be answered with a cross in the box for the correct answer from A to D. If you change your mind about an answer, put a line through the box and then mark your new answer with a cross .

- 1 A sample of steel in the form of a wire is subjected to an increasing load.

Which of the following is the best description of the elastic limit of the steel?

- A The stress at which the steel undergoes an increase in strain with no increase in stress.
- B The stress beyond which the stress and strain are no longer proportional.
- C The stress beyond which the steel becomes permanently deformed.
- D The stress at which the steel breaks.

(Total for Question 1 = 1 mark)

- 2 Radar is used to detect the position of an aircraft. Microwave pulses are emitted from the radar transducer. The pulses reflect from the aircraft and are received back at the same transducer. The time in seconds between emission and reception of the pulse is t .

The distance of the aircraft in metres from the transducer is given by

- A $2 \times 3.0 \times 10^8 \times t$
- B $2 \times 340 \times t$
- C $\frac{3.0 \times 10^8 \times t}{2}$
- D $\frac{340 \times t}{2}$

(Total for Question 2 = 1 mark)

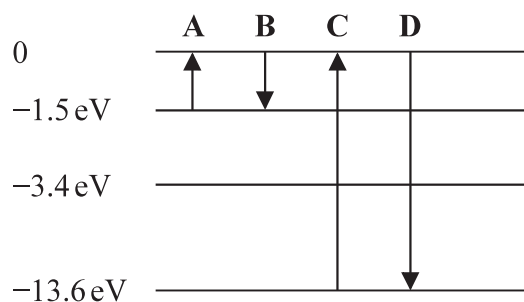
DO NOT WRITE IN THIS AREA

DO NOT WRITE IN THIS AREA

DO NOT WRITE IN THIS AREA



3 Some of the energy levels of an atom of a gas are shown.



During which transition, A, B, C or D, is electromagnetic radiation with the shortest wavelength emitted?

- A
- B
- C
- D

(Total for Question 3 = 1 mark)

4 The Hooke's law equation is:

$$\Delta F = k\Delta x$$

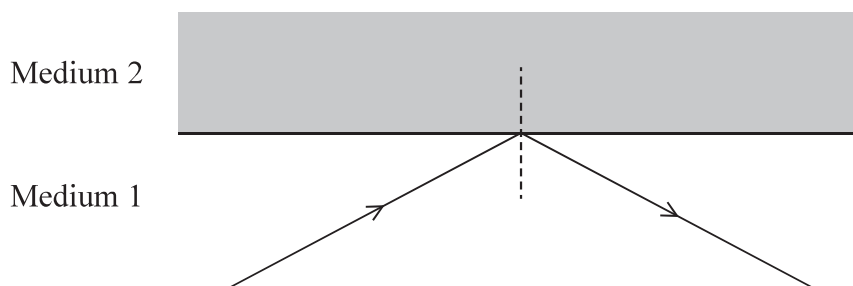
Which of the following gives the base units of k ?

- A kg s^{-2}
- B kg m s^{-2}
- C N m
- D N m^{-1}

(Total for Question 4 = 1 mark)



- 5 A ray of light travels through medium 1 of refractive index n_1 and is incident at an interface with medium 2 of refractive index n_2 . The ray is totally internally reflected at the interface.



speed of the light in medium 1 = v_1

speed of the light in medium 2 = v_2

Which row of the table is correct for this situation?

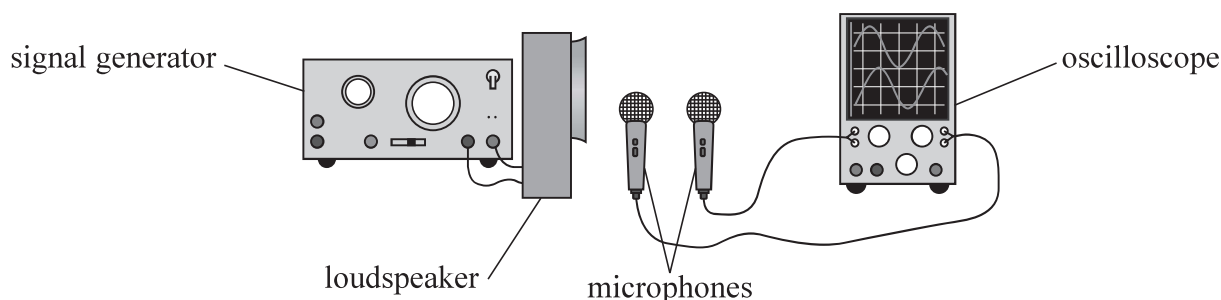
<input type="checkbox"/> A	$v_1 > v_2$	$n_1 > n_2$
<input type="checkbox"/> B	$v_1 < v_2$	$n_1 > n_2$
<input type="checkbox"/> C	$v_1 > v_2$	$n_1 < n_2$
<input type="checkbox"/> D	$v_1 < v_2$	$n_1 < n_2$

(Total for Question 5 = 1 mark)



Questions 6 and 7 refer to the following information.

In an experiment to determine the speed of sound in air, a 2-beam oscilloscope is used to display the signals from two microphones. The microphones are placed in front of a loudspeaker that is connected to a signal generator.



The loudspeaker emits a sound of frequency f .

- 6 The microphones are placed at different distances from the loudspeaker. The time taken for the sound to travel from the first microphone to the second is t .

Which of the following expressions gives the phase difference between the two signals?

- A πtf
- B $2\pi tf$
- C $\frac{\pi f}{t}$
- D $\frac{2\pi f}{t}$

(Total for Question 6 = 1 mark)

- 7 The microphones are placed at equal distances from the loudspeaker. The signals are in phase. One of the microphones is moved further away from the loudspeaker. Initially the signals become out of phase. After moving the microphone a distance d the signals are back in phase.

Which of the following expressions gives the speed of sound?

- A $2fd$
- B fd
- C $\frac{2d}{f}$
- D $\frac{d}{f}$

(Total for Question 7 = 1 mark)



8 Which of the following statements about waves is **not** correct?

- A An unpolarised wave may be polarised on reflection from a surface.
- B Longitudinal waves cannot be plane polarised.
- C The vibrations in an unpolarised wave are in many directions.
- D Transverse waves are always plane polarised.

(Total for Question 8 = 1 mark)



DO NOT WRITE IN THIS AREA

DO NOT WRITE IN THIS AREA

DO NOT WRITE IN THIS AREA

9 In an investigation to determine the Young modulus of a material in the form of a wire, a tensile force of 14 N was applied to the wire. The length of the wire was 2.0 m. The diameter of the wire was 2.5 mm. The length of the wire increased by 0.20%.

(a) Calculate the Young modulus of the material. (3)

.....
.....
.....
.....

Young modulus =

(b) Calculate the energy stored in the stretched wire. (2)

.....
.....
.....
.....

Energy stored =

(c) Explain why the wire chosen should be as long as possible. (2)

.....
.....
.....
.....

(Total for Question 9 = 7 marks)



- 10 A student investigated how a converging lens can be used to project a magnified image onto a whiteboard.

In a darkened room, the student placed a smartphone 9.0 cm from the converging lens. The phone's display was projected onto the whiteboard. The converging lens was 75.0 cm from the whiteboard when a clear image was produced.

- (a) Calculate the focal length of the lens.

(2)

Focal length =

- (b) The image projected onto the whiteboard was real.

State what is meant by a real image.

(1)



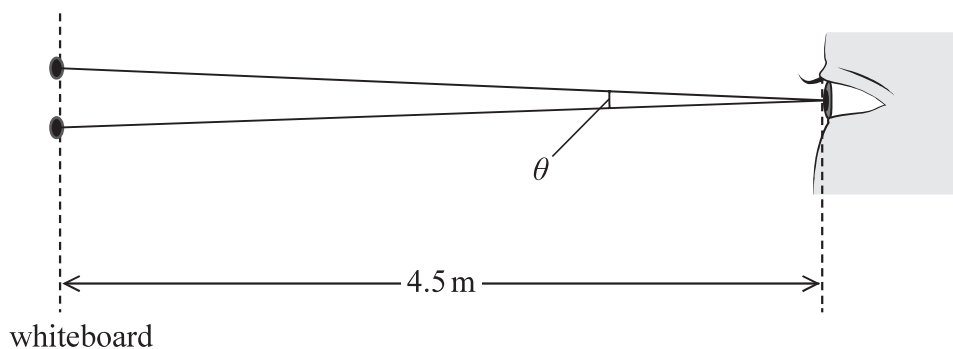
DO NOT WRITE IN THIS AREA

DO NOT WRITE IN THIS AREA

DO NOT WRITE IN THIS AREA

(c) The display on the phone contained two dots that were 5.0 mm apart. The student stood 4.5 m from the whiteboard and viewed the image of the dots.

Rays of light from the images of the two dots on the whiteboard were incident at the student's eye with an angle θ between them as shown.



The student could distinguish the two dots if the angle θ was greater than 0.0003 radians.

Deduce whether the student could distinguish the two dots clearly.

(5)

A series of horizontal dotted lines provided for the student to write their answer.

(Total for Question 10 = 8 marks)



11 The photograph shows a guitar. The strings of the guitar are at the same tension.



When a string is plucked, a standing wave is set up on the string.

*(a) Explain how a standing wave is set up on a string.

(6)

A series of horizontal dotted lines for writing the answer.



DO NOT WRITE IN THIS AREA

DO NOT WRITE IN THIS AREA

DO NOT WRITE IN THIS AREA

(b) A thicker string produces a note with a lower fundamental frequency than a thinner string of the same material.

Justify this statement.

(5)

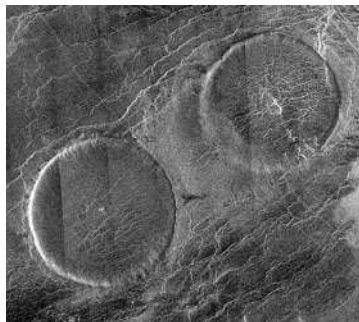
Area with horizontal dotted lines for writing the justification.

(Total for Question 11 = 11 marks)

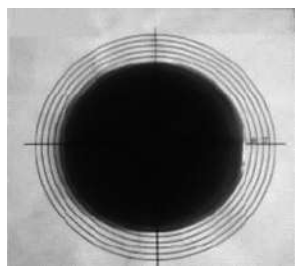


P 5 5 5 2 6 A 0 1 1 2 8

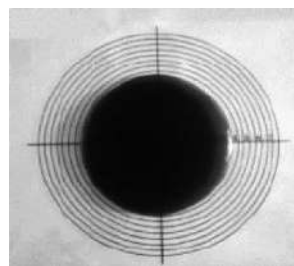
12 The photograph shows an image of two “pancake” volcanoes on the surface of the planet Venus. Scientists believe these types of volcano are formed from lava spreading out in all directions onto a flat landscape.



A student investigated the formation of pancake volcanoes. She observed the flow of a viscous liquid at two different temperatures as it spread out from a central spot. The photographs below show the liquid at both temperatures after it had been flowing for the same length of time.



High temperature test



Low temperature test

(a) Scientists believe that the high temperature of lava when it erupts is one factor that allows the lava to spread out over a large area.

Explain how the student’s investigation supports this idea.

(2)

.....

.....

.....

.....



DO NOT WRITE IN THIS AREA

DO NOT WRITE IN THIS AREA

DO NOT WRITE IN THIS AREA

(b) The student carried out an experiment to determine the viscosity of the liquid at room temperature. She observed a steel sphere falling through the liquid.

She had the following equipment:

- a long, wide cylindrical tube
- two steel spheres with diameters 7.0 mm and 22.0 mm
- video camera
- metre rule

The student observed the sphere with a diameter of 7.0 mm falling through the liquid. The sphere fell 0.80 m in 5.3 s at a constant velocity.

The viscosity η of the liquid can be calculated using the equation

$$\eta = \frac{Vg(\rho_s - \rho_l)}{6\pi r v}$$

providing Stokes' law applies.

(i) Calculate the viscosity of the liquid.

density of liquid $\rho_l = 1430 \text{ kg m}^{-3}$

density of steel $\rho_s = 7800 \text{ kg m}^{-3}$

(4)

.....

.....

.....

.....

.....

.....

.....

.....

.....

.....

Viscosity of liquid = Pa s



(ii) If the student had used the larger sphere, the equation would not have produced the correct answer.

Explain why.

(2)

.....

.....

.....

.....

(iii) The student used the video camera to record the sphere falling through the liquid.

State **one** benefit of using the video camera to record the motion of the sphere.

(1)

.....

.....

(Total for Question 12 = 9 marks)

DO NOT WRITE IN THIS AREA

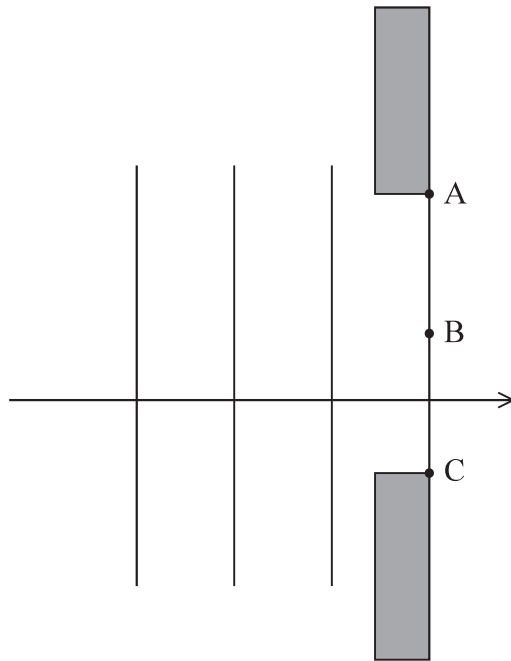
DO NOT WRITE IN THIS AREA

DO NOT WRITE IN THIS AREA



13 The diffraction of light provides evidence for the wave theory of light.

(a) The diagram represents wavefronts of light, incident at a single slit. The points labelled A, B and C are points on the wavefront that has just passed through the gap.



(i) Describe what is meant by a wavefront. (1)

(ii) Add to the diagram to show how Huygens' construction can be used to determine the shape of the next wavefront, after the wave has passed through the gap. (3)



- (b) A student carried out an investigation to determine the wavelength of the light emitted from a laser pen.

He shone the light from the laser pen so that it was incident perpendicularly on a diffraction grating. The diffraction grating had 200 lines per mm. He observed the diffraction pattern on a screen 3.00 m away from the grating. The pattern consisted of a series of bright dots.



- (i) Give a reason why a laser is a suitable source of light to produce a diffraction pattern. (1)



- (ii) The student measured a distance of 102 cm between the central maximum and the centre of a third order maximum.

The table shows the range of wavelengths for each colour of the visible spectrum.

Colour	Range of wavelength / nm
violet	380–450
blue	450–495
green	495–570
yellow	570–590
orange	590–620
red	620–750

Deduce the colour of the light emitted from the laser pen.

(5)

.....

.....

.....

.....

.....

.....

.....

.....

.....

.....

.....

.....

.....

.....

.....

.....

.....

.....

.....

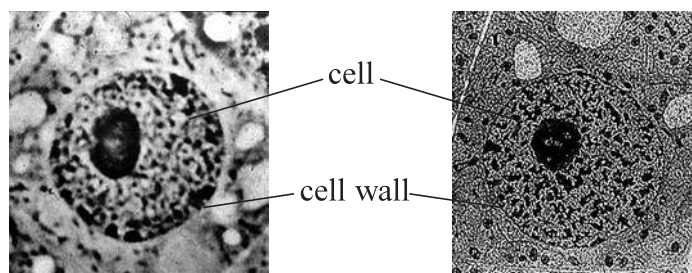
(Total for Question 13 = 10 marks)

DO NOT WRITE IN THIS AREA



- 14 An optical microscope uses a beam of visible light. An electron microscope uses a beam of electrons.

A biologist looked at an animal cell using both microscopes. The two images are shown; both have the same magnification.



using optical microscope

using electron microscope

www.udel.edu

- (a) An electron in the beam of the electron microscope has a velocity of 2% of the speed of light.

Calculate the de Broglie wavelength of the electron.

(3)

de Broglie wavelength =

- (b) The image of the animal cell produced by the electron microscope is less blurred than the image produced by the optical microscope.

Explain why.

(2)



- (c) The biologist measured the diameter of the cell from one of the images. He recorded four measurements. The image had a magnification of $\times 800$.

Diameter of image /cm			
2.4	2.5	1.1	2.2

Determine a value for the diameter of the actual cell.

(2)

Diameter of cell =

(Total for Question 14 = 7 marks)

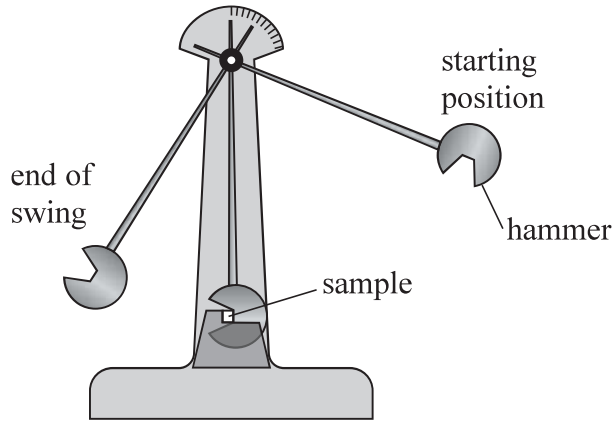
TOTAL FOR SECTION A = 60 MARKS



SECTION B

Answer ALL questions.

15 Read the passage and answer the questions below.



(ref: Physics Review April 2015 p22)

The Charpy test is used by scientists to measure the fracture toughness of a material. A simple pendulum, with a hammer on the end, is held high and released so that it swings down and strikes the sample. The height from which the hammer is released is increased until the sample fractures. Some energy is absorbed by the sample in the impact but the hammer continues to move until it comes to rest at the top of its swing. Due to the law of conservation of energy the hammer will not swing up as high as its starting position. The difference in height between the start and end is proportional to the energy absorbed in the impact – the fracture toughness.

(a) “The difference in height between the start and end is proportional to the energy absorbed in the impact – the fracture toughness.”

Justify this statement.

(2)

.....

.....

.....

.....



DO NOT WRITE IN THIS AREA

DO NOT WRITE IN THIS AREA

DO NOT WRITE IN THIS AREA

(b) The hammer is released from a height of 13.0 cm above the lowest point of the swing.

Calculate the momentum of the hammer when it strikes the sample.

mass of hammer = 31 kg

(3)

.....

.....

.....

.....

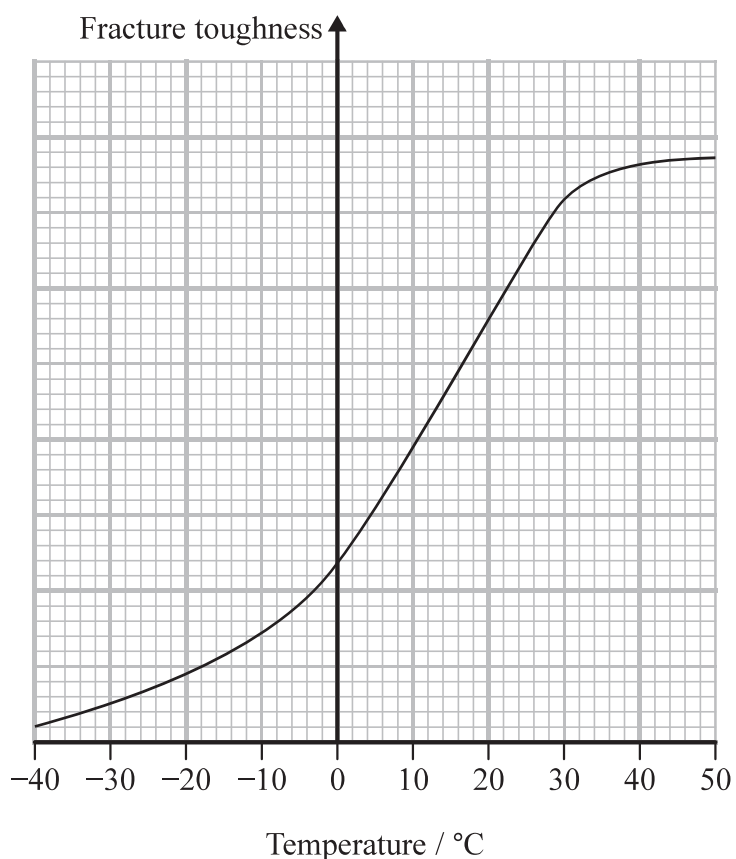
.....

.....

Momentum of hammer =



(c) The sketch graph shows how the fracture toughness of a sample of steel varies with temperature.



A material with a low fracture toughness can absorb less energy before fracture than a material with high fracture toughness.

The ship *Titanic* sank in 1912 following a collision with an iceberg in the icy waters of the Atlantic. The steel hull of the ship was fractured by the impact.

Deduce why the steel was likely to have been fractured by the impact.

(3)

.....

.....

.....

.....

.....

.....

.....

(Total for Question 15 = 8 marks)



DO NOT WRITE IN THIS AREA

DO NOT WRITE IN THIS AREA

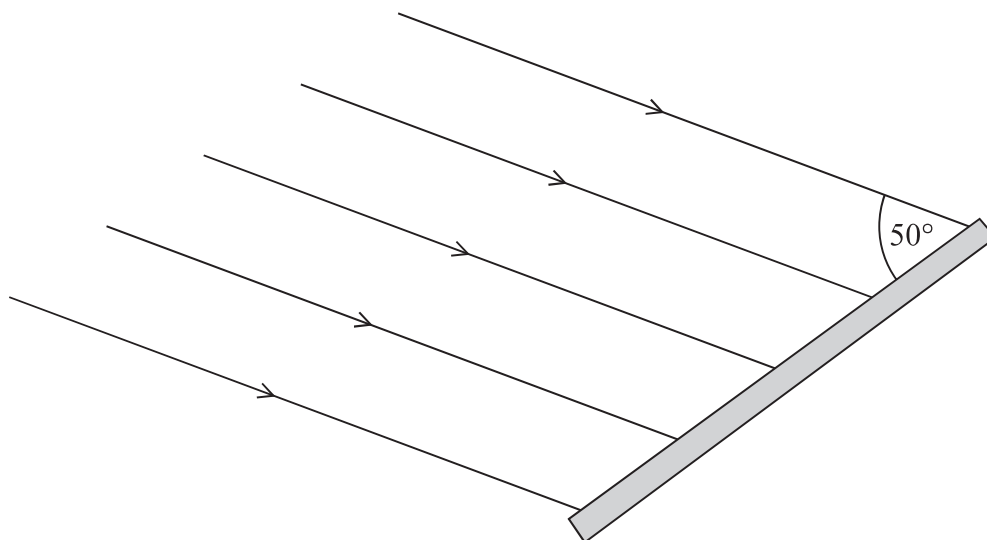
DO NOT WRITE IN THIS AREA

BLANK PAGE



16 A solar panel uses electromagnetic radiation from the Sun to generate electricity. In one installation a sensor in the solar panel measures the intensity of radiation arriving from different directions. A motor rotates the solar panel so that it always faces the brightest part of the sky.

- (a) The intensity of the radiation incident at the surface of the Earth is 1100 W m^{-2} . A solar panel has an area of 2.4 m^2 . Radiation is incident on the solar panel at an angle of 50° as shown. The efficiency of the solar panel is 20%.



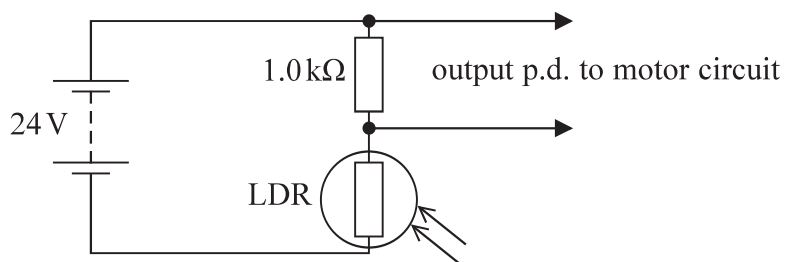
Calculate the electrical power generated by the solar panel.

(3)

Electrical power generated =



(b) The circuit diagram shows how a light dependent resistor (LDR) can be used to produce an output potential difference (p.d.) that is dependent on the intensity of light. This output p.d. is connected to a motor circuit that operates the movement of the solar panel.



Initially the motor is switched off. The light intensity increases and the resistance of the LDR decreases to 750Ω .

The motor switches on when the output p.d. is above 13 V.

Deduce whether this change in light intensity causes the motor to switch on.

(3)

.....

.....

.....

.....

.....

.....



DO NOT WRITE IN THIS AREA

DO NOT WRITE IN THIS AREA

DO NOT WRITE IN THIS AREA

(c) When light is incident on an LDR, electrons move to a higher energy level where they become conduction electrons. This causes the resistance of the LDR to decrease.

A student suggests that this is an example of the photoelectric effect. The student is not correct.

Compare and contrast the photoelectric effect with the effect of radiation incident on an LDR.

(6)

.....

.....

.....

.....

.....

.....

.....

.....

.....

.....

.....

.....

.....

.....

.....

.....

.....

.....

.....

.....

.....

.....

.....

.....

.....

(Total for Question 16 = 12 marks)

TOTAL FOR SECTION B = 20 MARKS
TOTAL FOR PAPER = 80 MARKS



List of data, formulae and relationships

Acceleration of free fall	$g = 9.81 \text{ m s}^{-2}$	(close to Earth's surface)
Electron charge	$e = -1.60 \times 10^{-19} \text{ C}$	
Electron mass	$m_e = 9.11 \times 10^{-31} \text{ kg}$	
Electronvolt	$1 \text{ eV} = 1.60 \times 10^{-19} \text{ J}$	
Gravitational field strength	$g = 9.81 \text{ N kg}^{-1}$	(close to Earth's surface)
Planck constant	$h = 6.63 \times 10^{-34} \text{ J s}$	
Speed of light in a vacuum	$c = 3.00 \times 10^8 \text{ m s}^{-1}$	

Mechanics

Kinematic equations of motion

$$s = \frac{(u + v)t}{2}$$

$$v = u + at$$

$$s = ut + \frac{1}{2}at^2$$

$$v^2 = u^2 + 2as$$

Forces

$$\Sigma F = ma$$

$$g = \frac{F}{m}$$

$$W = mg$$

$$\text{moment of force} = Fx$$

Momentum

$$p = mv$$

Work, energy and power

$$\Delta W = F\Delta s$$

$$E_k = \frac{1}{2}mv^2$$

$$\Delta E_{\text{grav}} = mg\Delta h$$

$$P = \frac{E}{t}$$

$$P = \frac{W}{t}$$

$$\text{efficiency} = \frac{\text{useful energy output}}{\text{total energy input}}$$

$$\text{efficiency} = \frac{\text{useful power output}}{\text{total power input}}$$

Electric circuits

Potential difference

$$V = \frac{W}{Q}$$

Resistance

$$R = \frac{V}{I}$$

Electrical power and energy

$$P = VI$$

$$P = I^2R$$

$$P = \frac{V^2}{R}$$

$$W = VIt$$

Resistivity

$$R = \frac{\rho l}{A}$$

Current

$$I = \frac{\Delta Q}{\Delta t}$$

$$I = nqvA$$



Materials

Density

$$\rho = \frac{m}{V}$$

Stokes' law

$$F = 6\pi\eta r v$$

Hooke's law

$$F = k\Delta x$$

Pressure

$$p = \frac{F}{A}$$

Young modulus

$$\text{Stress } \sigma = \frac{F}{A}$$

$$\text{Strain } \varepsilon = \frac{\Delta x}{x}$$

$$E = \frac{\sigma}{\varepsilon}$$

Elastic strain energy

$$\Delta E_{\text{el}} = \frac{1}{2}F\Delta x$$

Waves and Particle Nature of Light

Wave speed

$$v = f\lambda$$

Speed of a transverse wave on a string

$$v = \sqrt{\frac{T}{\mu}}$$

Intensity of radiation

$$I = \frac{P}{A}$$

Power of a lens

$$P = \frac{1}{f}$$

$$P = P_1 + P_2 + P_3 + \dots$$

Thin lens equation

$$\frac{1}{u} + \frac{1}{v} = \frac{1}{f}$$

Magnification for a lens

$$m = \frac{\text{image height}}{\text{object height}} = \frac{v}{u}$$

Diffraction grating

$$n\lambda = d \sin \theta$$

Refractive index

$$n_1 \sin \theta_1 = n_2 \sin \theta_2$$

$$n = \frac{c}{v}$$

Critical angle

$$\sin C = \frac{1}{n}$$

Photon model

$$E = hf$$

Einstein's photoelectric equation

$$hf = \phi + \frac{1}{2}mv_{\text{max}}^2$$

de Broglie wavelength

$$\lambda = \frac{h}{p}$$

DO NOT WRITE IN THIS AREA

DO NOT WRITE IN THIS AREA

DO NOT WRITE IN THIS AREA

